



Applies To: **2005–08 TL – ALL**
2008 MDX – ALL

March 30, 2016

HandsFreeLink (HFL) Doesn't Work, or Battery Is Too Low to Start the Engine

(Supersedes 08-057, dated July 14, 2012, to revise the information marked by the black bars)

REVISION SUMMARY

Under CORRECTIVE ACTION, the paragraph was changed.

SYMPTOM

The HandsFreeLink (HFL) system doesn't work, and/or the battery sometimes won't start the vehicle.

PROBABLE CAUSE

The HFL control unit has an internal problem, which creates a parasitic current draw of 250 mA.

CORRECTIVE ACTION

Do the REPAIR PROCEDURE, which includes a diagnosis, and if necessary, replace the HFL control unit.

PARTS INFORMATION

HFL Control Unit:

2008 MDX:
P/N 39770-STX-A01

2005–06 TL:
Light Tan, YR167L
P/N 39770-SEP-A02ZB

Light Cream Ivory, YR240L
P/N 39770-SEP-A02ZC

Moon Lake Gray, NH528L
P/N 39770-SEP-A02ZA

2007–08 TL:
Moon Lake Gray, NH528L
P/N 39770-SEP-A12ZA

Gray, YR167L
P/N 39770-SEP-A12ZB

Light Cream Ivory, YR240L
P/N 39770-SEP-A12ZC

Graphite Black, NH167L
P/N 39770-SEP-A62ZA

Gray, NH556L
P/N 39770-SEP-A62ZB

WARRANTY CLAIM INFORMATION

The normal warranty applies.

OP#	Description	FRT
0521B3	MDX: Replace the HFL control unit.	0.4
0521B3	TL: Replace the HFL control unit.	0.3

Failed Part: P/N 39770-SEP-A12ZA
Defect Code: 03217
Symptom Code: 09001
Skill Level: Repair Technician

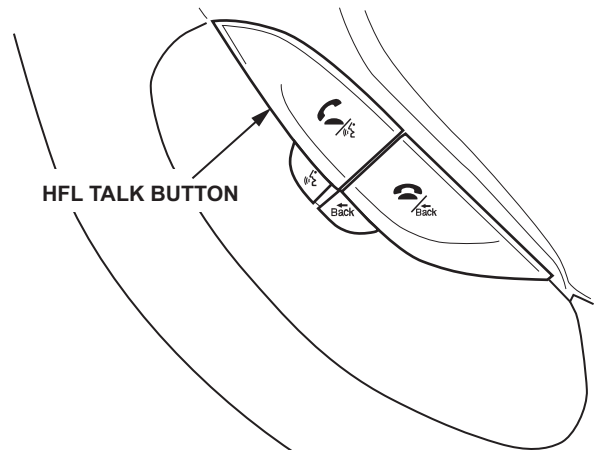
REPAIR PROCEDURE

1. Start the engine, and wait for the HFL and AcuraLink (HIP) control units to boot up (30 seconds).
2. Press the HFL TALK button on the left side of the steering wheel while listening for a beep.

Does the HFL beep?

Yes – This bulletin does not apply. Continue with normal troubleshooting.

No – Go to step 3.



3. Turn the ignition switch OFF.



CLIENT INFORMATION: The information in this bulletin is intended for use only by skilled technicians who have the proper tools, equipment, and training to correctly and safely maintain your vehicle. These procedures should not be attempted by “do-it-yourselfers,” and you should not assume this bulletin applies to your vehicle, or that your vehicle has the condition described. To determine whether this information applies, contact an authorized Acura automobile dealer.

4. **MDX:** Check the No. 5 (10 A) fuse in the under-dash fuse/relay box.

TL: Check the No. 6 (7.5 A) fuse in the under-dash fuse/relay box.

Is the fuse OK?

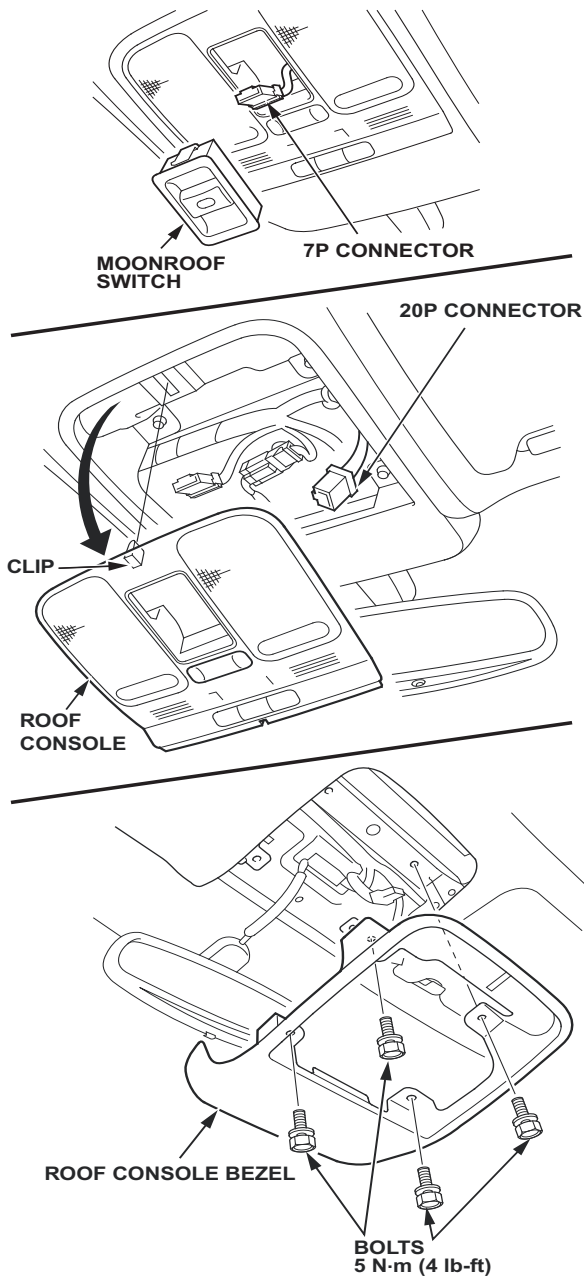
Yes – Go to step 5.

No – Replace the fuse, then repeat steps 1 and 2.

5. **MDX:** Remove the center console rear trim:

- Refer to page 20-110 of the 07–09 MDX Service Manual, or
- Online, enter keywords **CENTER CONSOLE**, and select **Center Console Rear Trim Removal/Installation** from the list.

TL: Remove the roof console:



6. **05–06 TL:** Disconnect the HFL control unit 22P connector, and measure the resistance between terminals No. 2 and No. 13 with an ohmmeter.

07–08 TL: Disconnect the HFL control unit 28P connector, and measure the resistance between terminals No. 1 and No. 2 with an ohmmeter.

MDX : Disconnect the HFL control unit 28P connector, and measure the resistance between terminals No. 1 and No. 2 with an ohmmeter.

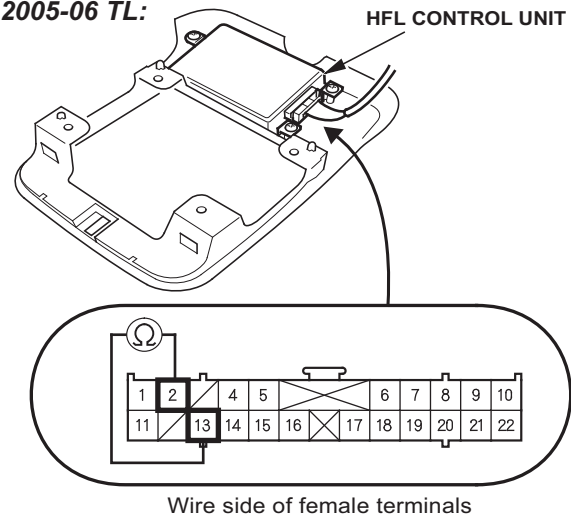
Does the resistance change while pressing the HFL TALK/BACK buttons?

Yes – Connect the HFL control unit connector, and go to step 7.

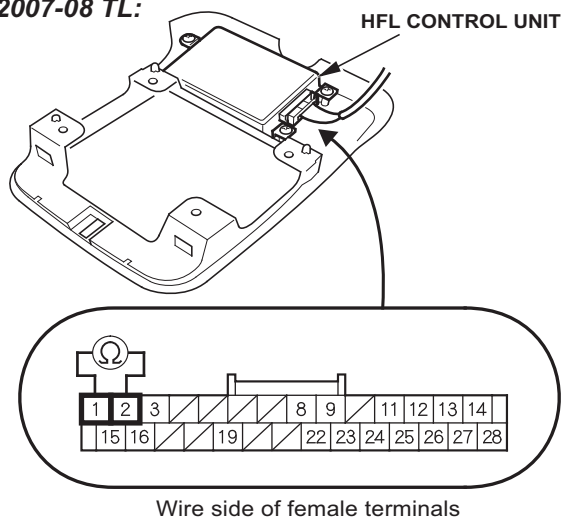
No – This service bulletin does not apply. Continue with normal troubleshooting.

TL:

2005-06 TL:



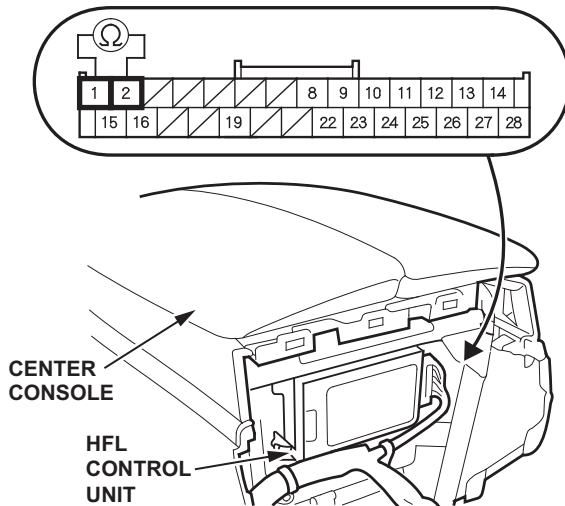
2007-08 TL:



MDX:

MDX:

Wire side of female terminals



7. Open the hood, and disconnect the hood switch connector.
8. Close and lock all doors.
NOTE: The exterior lights should flash and the alarm should beep to indicate that the alarm is set.
9. Attach the LH41 AC/DC low current clamp meter to the battery ground cable. Follow the LH41 instructions to measure parasitic draw (parasitic draw is about 250 mA until the HFL control unit goes into sleep mode). Wait at least 10 minutes to allow the HFL unit to go into sleep mode.

Does the parasitic draw drop from about 250 mA down to about 50 mA?

Yes – Go to step 11.

No – Go to step 10.

10. Disconnect the HFL control unit 28P connector, then recheck the parasitic draw.

Is the parasitic draw about 50 mA or less?

Yes – Go to step 11.

No – This service bulletin does not apply. Continue with normal troubleshooting to determine the cause of the parasitic draw.

11. Replace the HFL control unit:

- **MDX:** Refer to page 23-296 of the MDX service manual, or
- **05–06 TL:** Refer to page 22-469 of the TL service manual, or
- **07–08 TL:** Refer to page 23-284 of the TL service manual, or
- Online, enter keywords **HFL INPUT**, and select **HandsFreeLink Control Unit Input Test/Replacement**.

12. Reconnect the hood switch connector, and close the hood.
13. Check the vehicle's battery, and charge or replace it if needed.